



南京南山—风华高科直接授权代理  
025-84712762 84712745 52188228  
<http://www.nscn.com.cn>

## THREE TERMINAL POSITIVE VOLTAGE REGULATORS 5V FH78L05

### +5V 三端稳压器 SOT-89

#### FEATURES

- Best Suited to Power Supply for TTL, C<sup>2</sup>-MOS
- No External Part Needed
- Built-in Thermal Protective Circuit
- Max. Output Current 100mA (T<sub>j</sub>=25 )
- SOT-89 Packaged in Power Mini



1.Vout 2.Gnd 3.Vin

#### MAXIMUM RATINGS(T<sub>a</sub>=25 ) 最大额定值

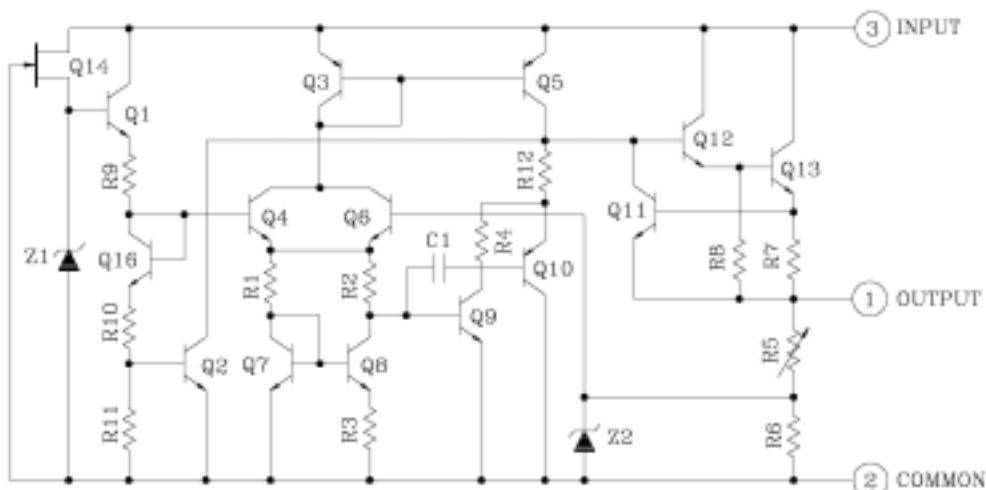
CHARACTERISTIC 特性参数	Symbol 符号	Rating 额定值	Unit 单位
Input Voltage 输入电压	V <sub>IN</sub>	35	V
Power Dissipation 耗散功率	P <sub>D</sub>	500	mW
Operating Junction Temperature 结温	T <sub>j</sub>	-20~120	
Operating Temperature 工作温度	T <sub>opr</sub>	-20~75	
Storage temperature 储存温度	T <sub>stg</sub>	-40~150	

#### DEVICE MARKING 打标

FH78L05 = 8A

#### EQUIVALENT CIRCUIT

#### 等效电路

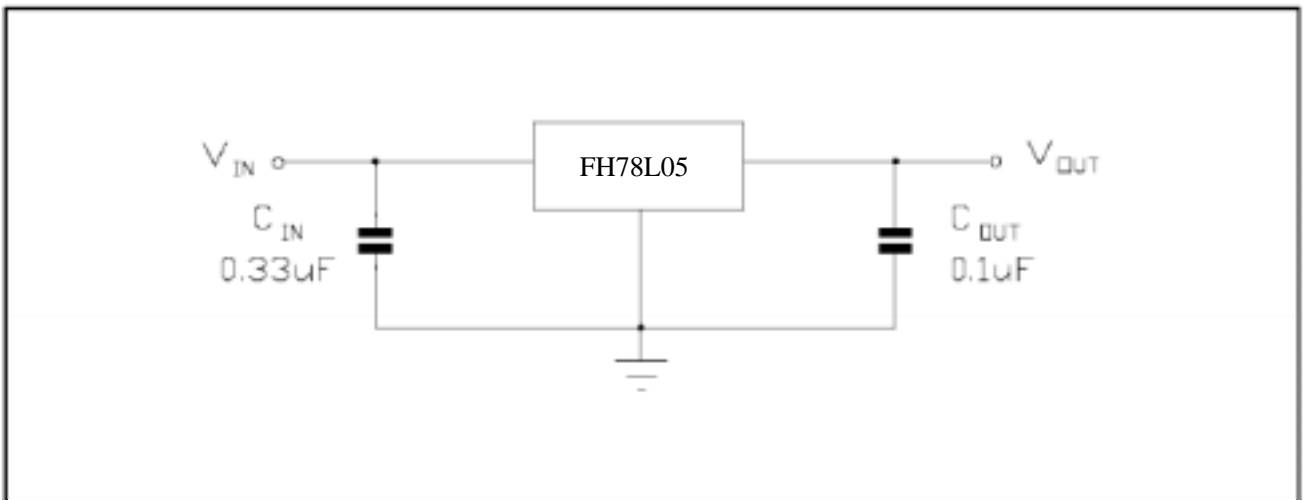




## ELECTRICAL CHARACTERISTICS 电特性

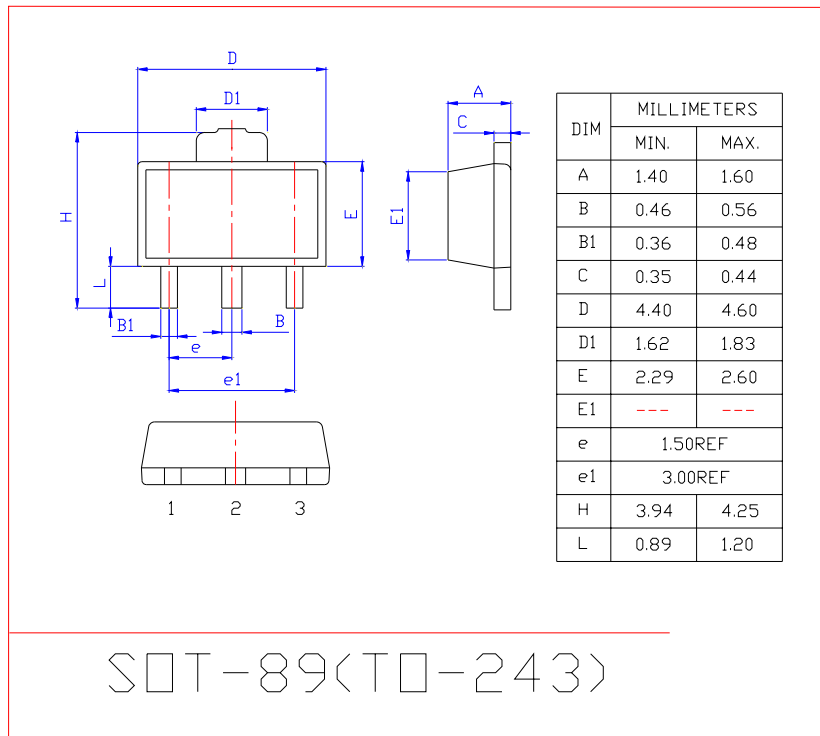
( Unless otherwise noted,  $V_{IN}=10V, I_{OUT}=40mA, C_{IN}=0.33\mu F, C_{OUT}=0.1\mu F, T_j = 125$  )

Characteristic 特性参数	Symbol 符号	Test Condition 测试条件	Min 最小值	Type 典型值	Max 最大值	Unit 单位	
Output Voltage 输出电压	$V_{OUT}$	$T_j=25$	4.75	5.0	5.25	V	
		7.0V $V_{IN}$ 20V 1.0mA $I_{OUT}$ 40mA	4.75	-	5.25	V	
		$V_{IN}=10V, 1.0mA I_{OUT} 70mA$	4.75	-	5.25	V	
Line Regulation 线性调整率	Reg line	$T_j=25$	7.0V $V_{IN}$ 20V	-	55	150	mV
			8.0V $V_{IN}$ 20V	-	45	100	
Load Regulation 负载调整率	Reg load	$T_j=25$	1.0mA $I_{OUT}$ 100mA	-	11	60	mV
			1.0mA $I_{OUT}$ 40mA	-	5.0	30	
Quiescent Current 静态电流	$I_Q$	$T_j=25$	-	3.1	6.0	mA	
		$T_j=125$	-	-	5.0		
Quiescent Current Change 静态变化电流	$I_Q$	8.0V $V_{IN}$ 20V	-	-	1.5	mA	
		1.0mA $I_{OUT}$ 40mA	-	-	0.1		
Output Noise Voltage 输出噪声电压	$V_{ON}$	$T_a=25, 10Hz f 100KHz$	-	40	-	$\mu V_{rms}$	
Ripple Rejection Ratio 纹波抑制比	RR	$f=120Hz 8.0V V_{IN} 20V T_j=25$	41	49	-	dB	
Dropout Voltage 压降	$V_{IN} - V_{OUT}$	$T_j=25$	-	1.7	-	V	





## SOT-89 封装外形尺寸 (SOT-89 DIMENSION)



## 编带包装规格 (SOT-89 TAPE AND REEL SPECIFICATION AND PACKING SPECIFICATION)

