

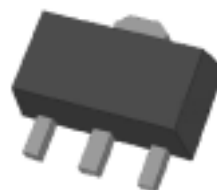


THREE TERMINAL POSITIVE VOLTAGE REGULATORS 12V FH78L012

+12V 三端稳压器 SOT-89

FEATURES

- Best Suited to Power Supply for TTL, C²-MOS
- No External Part Needed
- Built-in Thermal Protective Circuit
- Max. Output Current 100mA ($T_j=25^\circ\text{C}$)
- SOT-89 Packaged in Power Mini .



1.Vout 2.Gnd 3.Vin

ABSOLUTE MAXIMUM RATINGS 最大额定值

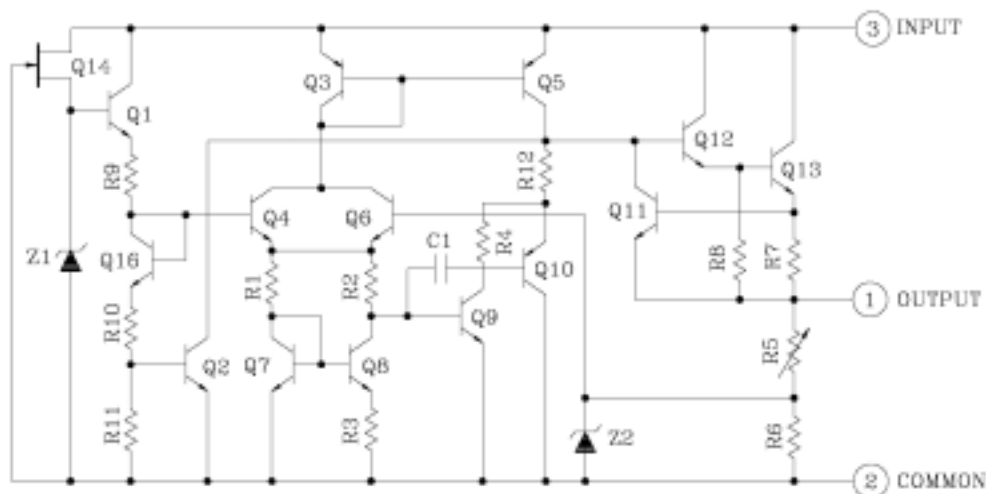
CHARACTERISTIC 特性参数	Symbol 符号	Rating 额定值	Unit 单位
Input Voltage 输入电压	V_{IN}	35	V
Power Dissipation 耗散功率	P_D	500	mW
Operating Junction Temperature 结温	T_j	-20~120	
Operating Temperature 工作温度	T_{opr}	-20~75	
Storage temperature 储存温度	T_{stg}	-40~150	

DEVICE MARKING 打标

FH78L12 = 8G

EQUIVALENT CIRCUIT

等效电路



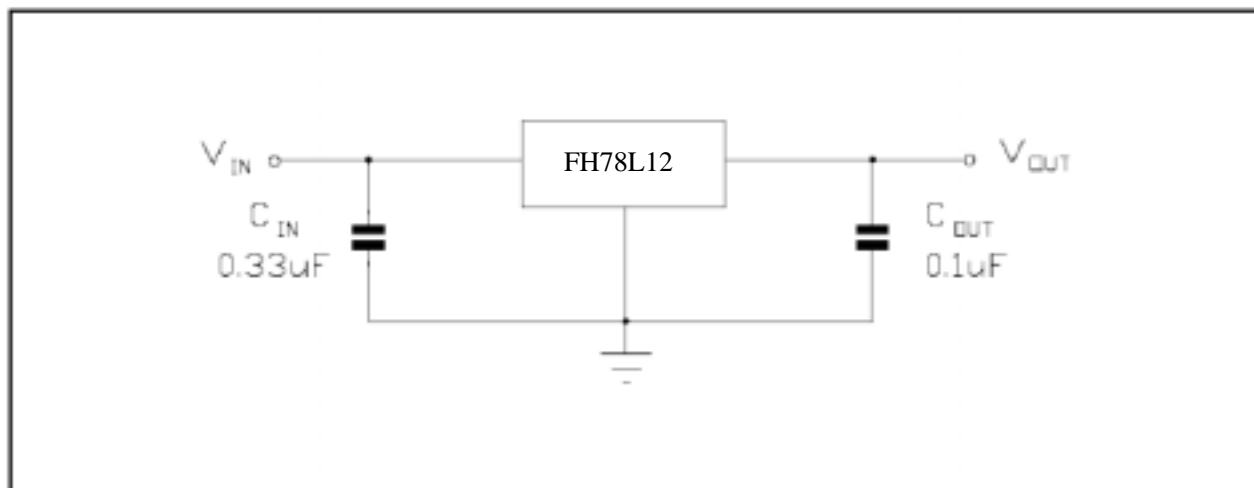


ELECTRICAL CHARACTERISTICS 电特性

(Unless otherwise noted, $V_{IN}=19V, I_{OUT}=40mA, C_{IN}=0.33\mu F, C_{OUT}=0.1\mu F, 0$ T_j 125)

Characteristic 特性参数	Symbol 符号	Test Condition 测试条件	Min 最小值	Type 典型值	Max 最大值	Unit 单位	
Output Voltage 输出电压	V_{OUT}	$T_j=25$	11.4	12	12.6	V	
		14.5V V_{IN} 27V 1.0mA I_{OUT} 40mA	11.4	-	12.6	V	
		$V_{IN}=19V, 1.0mA$ I_{OUT} 70mA	11.4	-	12.6	V	
Line Regulation 线性调整率	Reg line	$T_j=25$	14.5V V_{IN} 27V	-	120	250	mV
			16V V_{IN} 27V	-	100	200	
Load Regulation 负载调整率	Reg load	$T_j=25$	1.0mA I_{OUT} 100mA	-	20	100	mV
			1.0mA I_{OUT} 40mA	-	10	50	
Quiescent Current 静态电流	I_Q	$T_j=25$	-	3.2	6.5	mA	
		$T_j=125$	-	-	6.0		
Quiescent Current Change 静态变化电流	I_Q	12V V_{IN} 23V	-	-	1.5	mA	
		1.0mA I_{OUT} 40mA	-	-	0.1		
Output Noise Voltage 输出噪声电压	V_{ON}	$T_a=25$, 10Hz f 100KHz	-	80	-	μV_{rms}	
Ripple Rejection Ratio 纹波抑制比	RR	$f=120Hz$ 12V V_{IN} 23V $T_j=25$	36	41	-	dB	
Dropout Voltage 压降	$V_{IN} - V_{OUT}$	$T_j=25$	-	1.7	-	V	

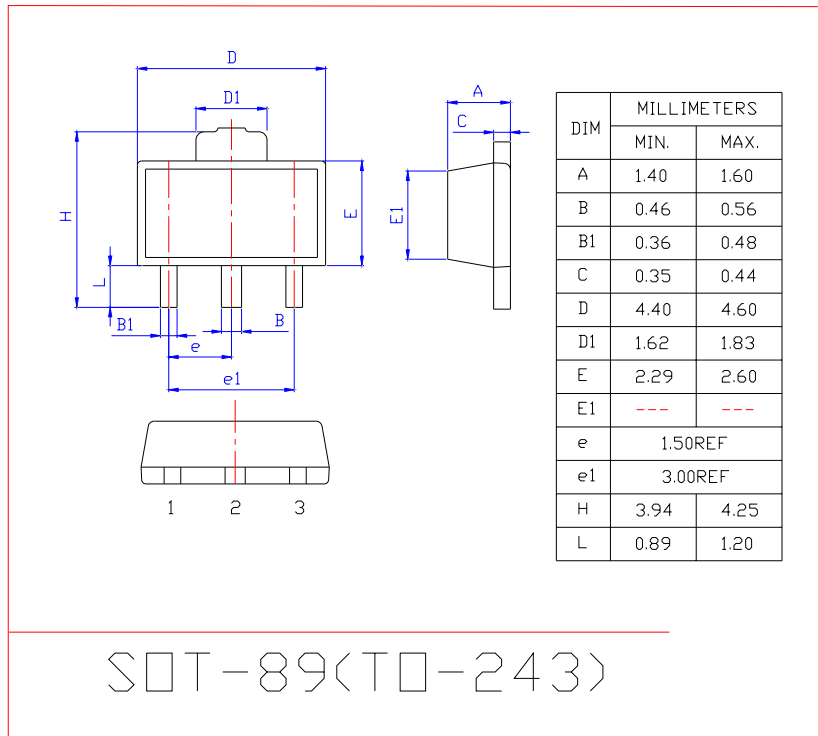
TEST CIRCUITS





南京南山—风华高科直接授权代理
025-84712762 84712745 52188228
<http://www.nscn.com.cn>

SOT-89 封装外形尺寸 (SOT-89 DIMENSION)



编带包装规格 (SOT-89 TAPE AND REEL SPECIFICATION AND PACKING SPECIFICATION)

