



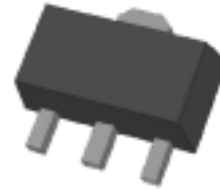
南京南山—风华高科直接授权代理
025-84712762 84712745 52188228
<http://www.nscn.com.cn>

THREE TERMINAL POSITIVE VOLTAGE REGULATORS 15V FH78L15

+15V 三端稳压器 SOT-89

FEATURES

- Best Suited to Power Supply for TTL, C²-MOS
- No External Part Needed
- Built-in Thermal Protective Circuit
- Max. Output Current 100mA (T_j=25)
- SOT-89 Packaged in Power Mini



1.Vout 2.Gnd 3.Vin

MAXIMUM RATINGS(T_a=25) 最大额定值

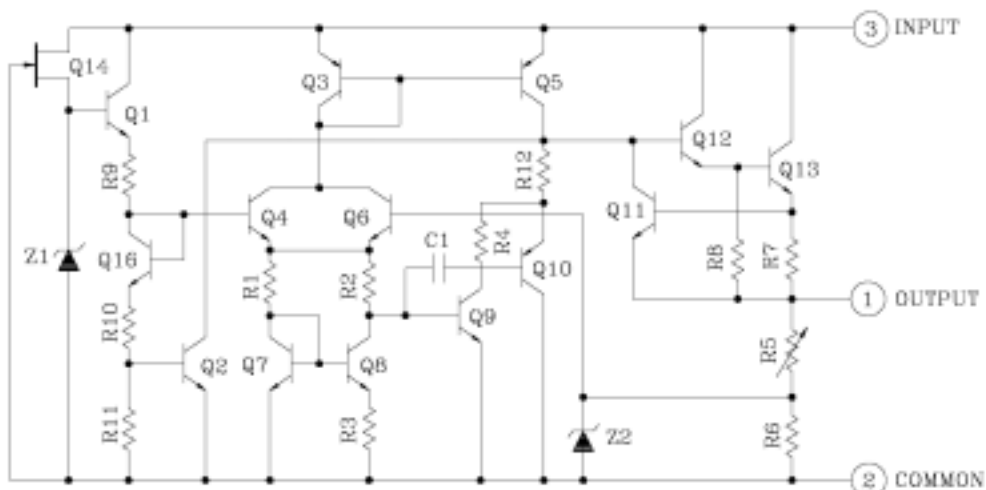
CHARACTERISTIC 特性参数	Symbol 符号	Rating 额定值	Unit 单位
Input Voltage 输入电压	V _{IN}	35	V
Power Dissipation 耗散功率	P _D	500	mW
Operating Junction Temperature 结温	T _j	-20~120	
Operating Temperature 工作温度	T _{opr}	-20~75	
Storage temperature 储存温度	T _{stg}	-40~150	

DEVICE MARKING 打标

FH78L15 =8I

EQUIVALENT CIRCUIT

等效电路



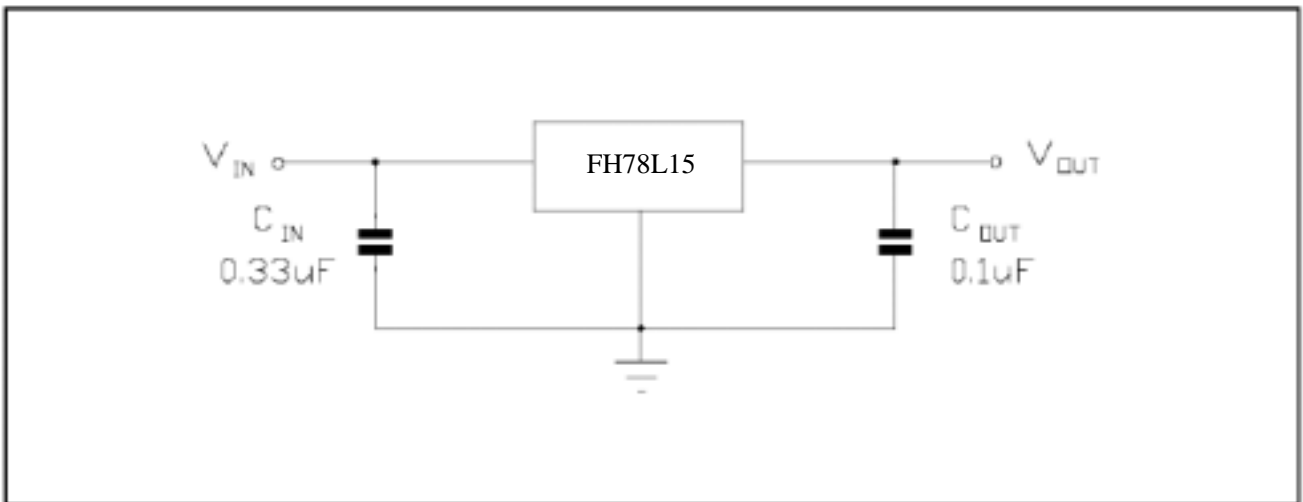


ELECTRICAL CHARACTERISTICS 电特性

(Unless otherwise noted, $V_{IN}=23V, I_{OUT}=40mA, C_{IN}=0.33\mu F, C_{OUT}=0.1\mu F, T_j = 125$)

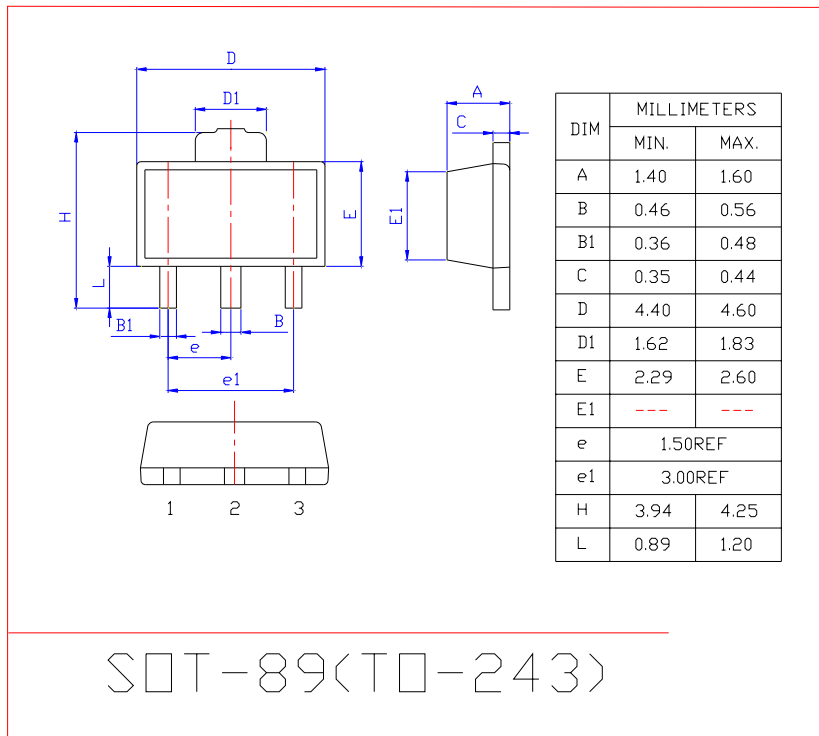
Characteristic 特性参数	Symbol 符号	Test Condition 测试条件	Min 最小值	Type 典型值	Max 最大值	Unit 单位	
Output Voltage 输出电压	V_{OUT}	$T_j=25$	14.25	15	15.75	V	
		17.5V V_{IN} 30V 1.0mA I_{OUT} 40mA	14.25	-	15.75	V	
		$V_{IN}=23V, 1.0mA I_{OUT} 70mA$	14.25	-	15.75		
Line Regulation 线性调整率	Reg line	$T_j=25$	17.5V V_{IN} 30V	-	60	300	mV
			23V V_{IN} 30V	-	58	250	
Load Regulation 负载调整率	Reg load	$T_j=25$	1.0mA I_{OUT} 100mA	-	25	150	mV
			1.0mA I_{OUT} 40mA	-	12	75	
Quiescent Current 静态电流	I_Q	$T_j=25$	-	3.1	6.5	mA	
		$T_j=125$	-	-	6.0		
Quiescent Current Change 静态变化电流	I_Q	20V V_{IN} 30V 1.0mA I_{OUT} 40mA	-	-	1.5	mA	
			-	-	0.1		
Output Noise Voltage 输出噪声电压	V_{ON}	$T_a=25, 10Hz f 100KHz$	-	90	-	μV_{rms}	
Ripple Rejection Ratio 纹波抑制比	RR	$f=120Hz 11.5V V_{IN} 23V T_j=25$	34	40	-	dB	
Dropout Voltage 压降	$V_{IN} - V_{OUT}$	$T_j=25$	-	1.7	-	V	

TEST CIRCUITS





SOT-89 封装外形尺寸 (SOT-89 DIMENSION)



编带包装规格 (SOT-89 TAPE AND REEL SPECIFICATION AND PACKING SPECIFICATION)

